



Your Waterside Companion
since 1995

**Docks on posts or wheels,
Floating docks,
Boat lifts & Accessories**



the
lighthouse.com docks

The Lighthouse Docks designs and manufactures, in their Lac-Mégantic plant (Quebec, Canada), gangways, docks on posts or on wheels, floating or semi-floating docks. All structures are made of high-quality aluminum with Western Red Cedar panels or reinforced polyurethane (Thruflow). We also offer a wide range of lifts for your boat, pontoon, personal watercraft or rowboat.

Our docks are not only built to be strong, lightweight and durable; they stand out from other brands by their ingenious designs and their elegance. Since your docks will be part of your view for many years, it's important that they match your home, waterfront shore and landscaping, and that they last for years. That's what **The Lighthouse Docks** offers you!



2

Gangways

Ideal to start your dock configuration, the gangway (ramp) can be laid down directly on your grass, rocks or even the beach to have a smooth transition to your setup.



Available Standard Sizes

28" x 10' 3' x 10' 4' x 10' 5'x10'
28" x 15' 3' x 15' 4' x 15' 5'x15'

Custom sizes also available

Panel Options

Available with Western Red Cedar panels or Thruflow panels (*reinforced polyurethane – grey)



Natural



Thruflow

*Structure slightly wider than cedar panels

Advantages

Wooden panels can be removed quickly for storage

Aluminum lightweight structure

Stainless steel hardware

Included

Aluminum structure, panels and gangway bracket to connect with your first dock

Gangway Bracket

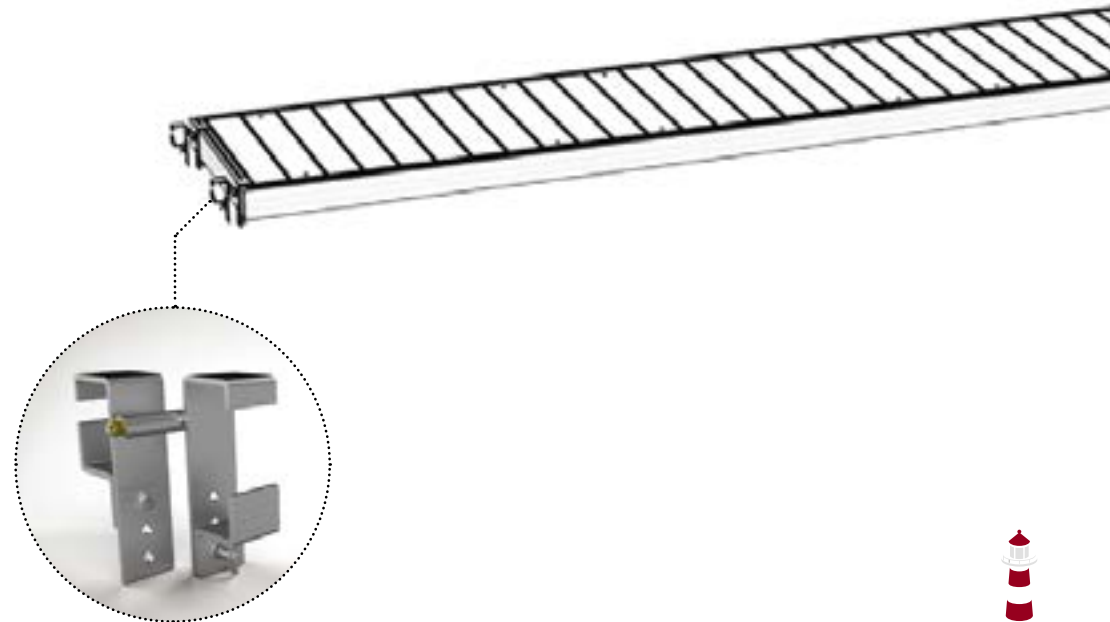
Allows you to connect your ramp to your first dock. May also be used for different configuration.

Aluminum manufacturing

Stainless bolts

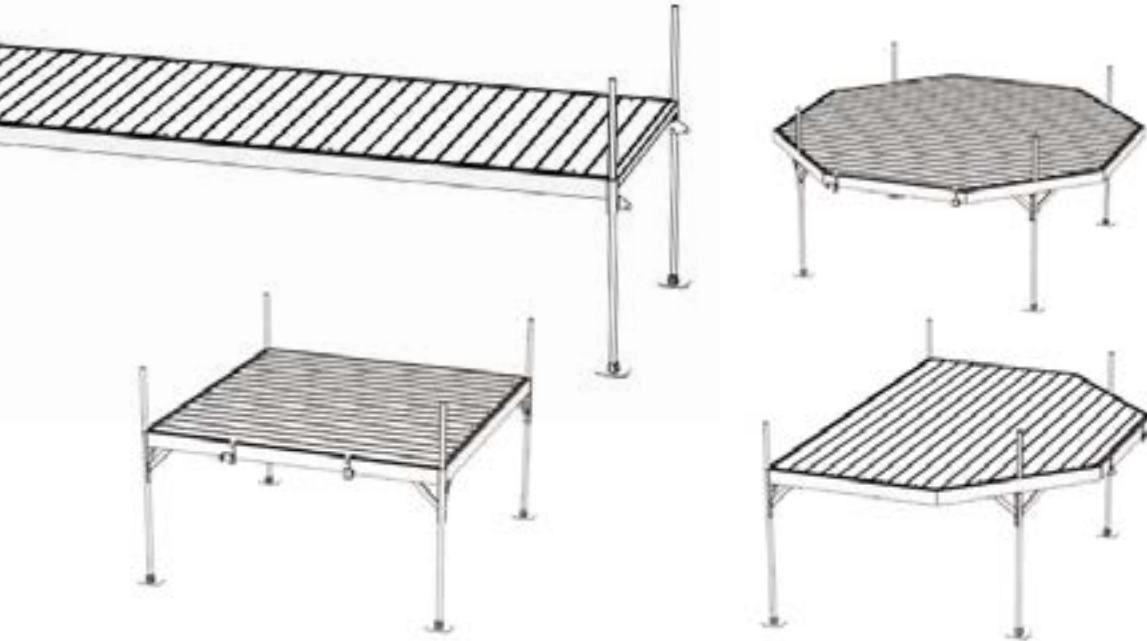
Easy to install

Sold in pairs



4

On-Post Docks



Rectangular

4' x 10'	4' x 15'	4' x 20'
5' x 10'	5' x 15'	5' x 20'
6' x 10'	6' x 15'	6' x 20'
8' x 10'	8' x 15'	8' x 20'

Octagonal

10' x 10'	9' x 12'
12' x 12'	(³ / ₄ octagon)

(also available in 2-pieces)

Square

10' x 10'	12' x 12'
-----------	-----------

Welded aluminum structure

1¹¹/₁₆" Galvanized post with vinyl cap

Stainless bolts and nuts

Removable wooden panels

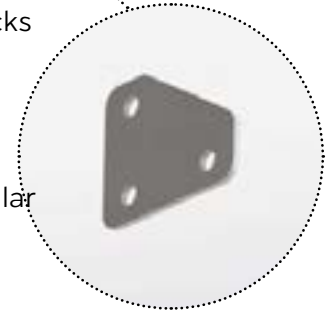
Joint Plate

To connect two same size docks

Aluminum manufacturing

Easy to install and remove

Included with all our rectangular on-post docks



Octagonal Bracket

Allows you to connect the end of a dock to a platform or another dock (T or L configuration, for example)

Aluminum manufacturing

Easy to install and remove

Included with all our square or octagonal docks



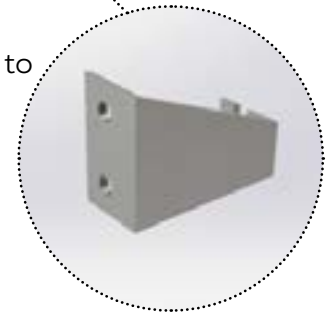
Side-by-Side Bracket

Allowing you to connect two docks in parallel side-by-side to create a bigger platform

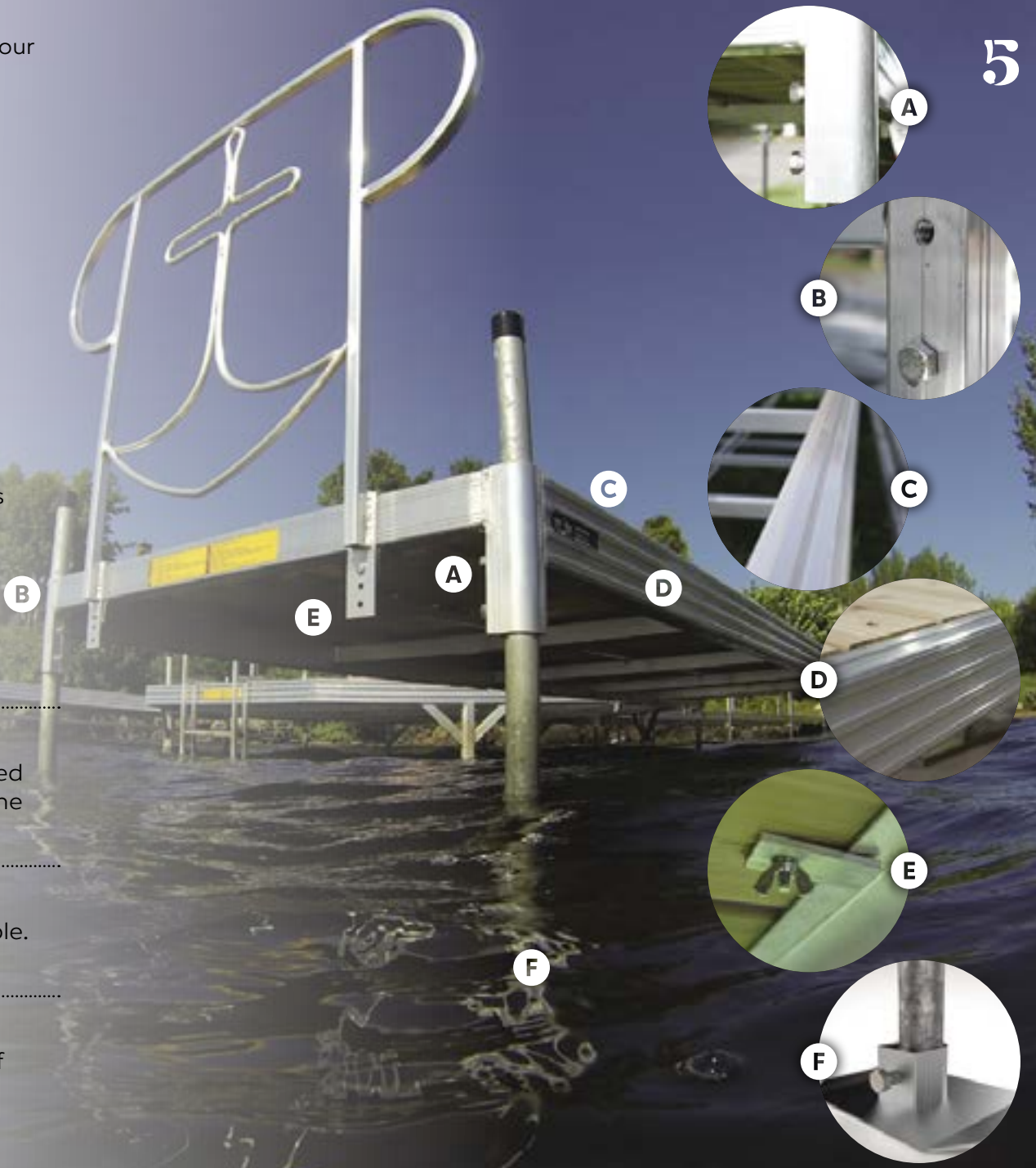
Aluminum manufacturing

Easy to install and remove

Sold in pairs



- A Bolts underneath the dock** Much better exterior appearance, safer for your boat and people
- B Threaded extrusion instead of welded** Stronger
- C Railing on top** Accessories stripe (no drilling needed)
- D 5"x2" Structure** Very strong, attractive 5"x2" structure
- E Panels lock underneath** To secure your panels from the wind or waves – Easy to remove
- F 6"x 8" Curved bottom footpad** To facilitate installation and offer increased stability



Included

Aluminum structure, panels, 2 or 4 galvanized 6' posts depending on the dock sizes and the bracket to connect to your next dock.

Advantages

Modular, lightweight, stable, safe and durable. Easy to install and store for winter.

Advice

Need to be installed in less than 6' depth of water. On-post docks are not built to moor a boat for extended hours or without any supervision.

Floating Docks

Rectangular

5' x 15'
5' x 20'

6' x 15'
6' x 20'

8' x 15'
8' x 20'

Octagonal

10' x 10'

12' x 12'

Square

8' x 8'

10' x 10'

12' x 12'

Advice

There mainly three reasons to buy residential floating docks.

1. If the depth of the water is more than 6 feet.
2. If you are on the side of a lake, or a river, where the level of the water changes often during the season, they self-adjust to the level of the water.
3. If you want to moor your boat directly to the docks for extended periods.

Depending on the wind, the water flow, the height of the waves, the bottom type of the lake and the weight of your boat, it is imperative to have appropriate weight and chain connecting your floating dock to make sure it will stay in place.

Adjustable Floating Dock Bracket

Allows you to connect two floating docks together. Other configurations are possible because they are movable.

Aluminum manufacturing
Stainless steel hardware
Teflon bushing

Easy to install and remove
Sold in pairs





Skating on a lake in Quebec is possible...

7

Even during summer!



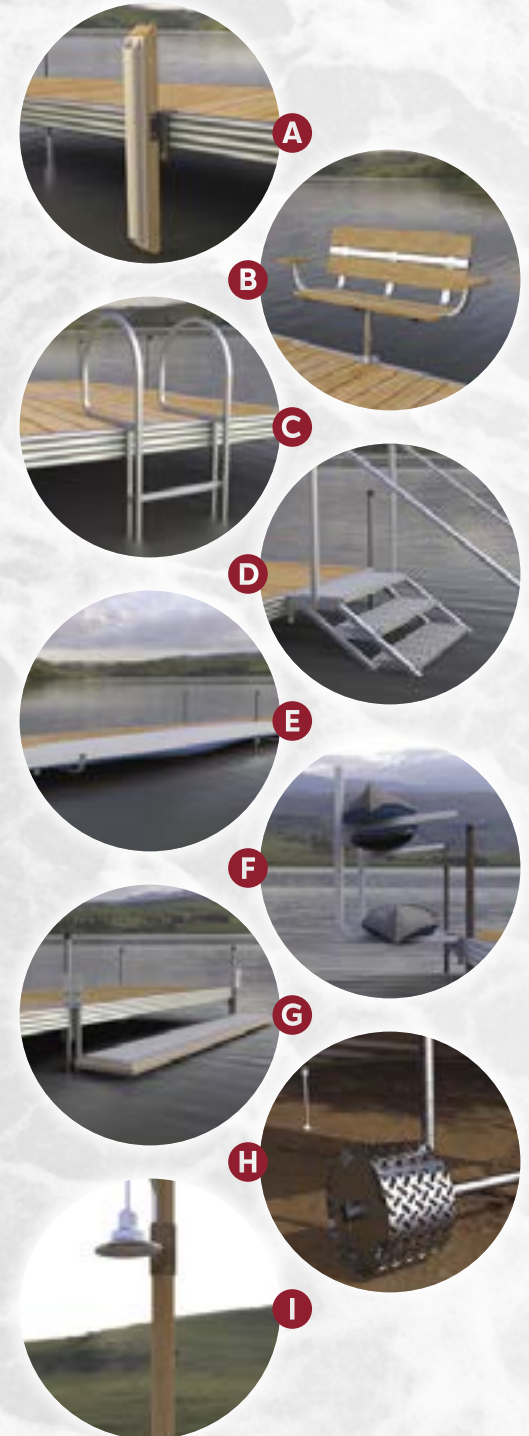
Yanni Gourde,
NHL – Tampa Bay
Lightning

"It's always fun to skate...but it's even funnier to do it under the sun, on a lake, with a beach on the side! It's very cool."

S

Dock Accessories

A	<u>Vertical Bumper</u>	Protect your boat when moored to your dock	Aluminum manufacturing Stainless steel bolts West cedar support Highly resistant bumper	Available with natural cedar
B	<u>Swivel Bench</u>	Unique in the industry, 2 seater bench that allows you to make a 360° to follow the sunsets	Strong aluminum support Stainless steel bolts West cedar bench	Available with natural cedar
C	<u>Ladder</u>	Allows you to get in or out of the water easily	Aluminum manufacturing Stainless steel bolts Curved steps to fit the shape of your foot	Available in 3 or 4 steps
D	<u>Adjustable Stair</u>	Perfect to get in or out of the water easily and safely, settle where you want on your docks	Aluminum frame Reinforced polyurethane steps (Thruflow) Stainless steel bolts	Available with 4 or 7 steps, depending the depth of your water Adjustable angle for the feet
E	<u>Simple Kayak Rack</u>	Quick and useful to store your kayak	Aluminum manufacturing Stainless steel bolts	Easy to install and move
F	<u>Double Kayak Rack</u>	Quick and useful to store your kayaks	Aluminum manufacturing Stainless steel bolts	Easy to install and move
G	<u>Boarding Step</u>	Provides you a 10' wide step near the water to facilitate boarding on the docks or in your boat (kayak for example)	Aluminum frame Reinforced polyurethane steps (Thruflow) Rubber protector Stainless steel bolts	To be install on 10' dock Can very well serve as bench



H	<u>Dock Wheels</u>	Makes installation and storage of your docks a lot easier	Plastic or aluminum wheels Galvanized axle Stainless steel bolts	Available for all dock widths
I	<u>Lamp on Post</u>	Gives a great look to your docks and provides light for your evenings	9' post made of natural cedar Aluminum lampshade Works on 110 volts	Rounded post with 2 holes or without holes
J	<u>Deep Water Stabilizer</u>	Helps stabilize the end of a dock on post or wheels in deep water	Aluminum manufacturing Stainless steel bolts	Available for all dock widths Sold in pair
K	<u>Lateral Stabilizer</u>	Helps to laterally stabilize a dock on post or on wheels	Aluminum manufacturing Stainless steel bolts	Easy to install Sold in pair
L	<u>Fishing Rod Holder</u>	Ideal for dock fishermen	Aluminum manufacturing Stainless steel bolts	Easy to install and move
M	<u>Cleat</u>	Allows you to moor your boat to your dock	Galvanized Stainless steel bolts 8" wide	Easy to install and move
N	<u>Hammock Dock</u>	Ideal for relaxing during hot summer days or to watch the stars at night	6'x10' aluminum frame Heavy duty net – Blue or Black	Safe for kids legs, no hole between the net and the frame Easy to install and move
O	<u>Wooden Post</u>	Gives a great look to your docks	42" post made of natural cedar	
P	<u>Wooden or Vinyl Rope</u>	1,5" manila wood or vinyl rope for your safety and a great look		
Q	<u>Adjustment Winch for Dock</u>	Allows you to adjust the height of your dock with a manual winch without going into the water		



Rowboat Lift 600pds

A

Weight : 200pds
 Inside width : 56"
 Bed length : 16'
 Extendable legs : 36"

· Vinyl bunks included

Rowboat Lift on Rolls 1500pds

Weight : 205pds
 Inside width : 34"
 Bed length : 20'
 Extendable legs : 36"

· Rolls included

Cantilever PWC Lift 1000pds

B

Weight : 130pds
 Inside width : 65"
 Bed length : 8'
 Vertical lift : 36"

· Vinyl bunks included

Vertical PWC Lift 1200pds

Weight : 180pds
 Inside width : 63"
 Bed length : 8'
 Vertical lift : 48"

· Vinyl bunks included

Cantilever PWC Lift 1500pds

Weight : 340pds
 Inside width : 89"
 Bed length : 10'
 Vertical lift : 36"

· Vinyl bunks included

Vertical Boat Lift 3500pds

C

Weight : 436pds
 Inside width : 108"
 Bed length : 10'
 Vertical lift : 60"

· Vinyl guides and bunks included

Vertical Boat Lift 4500pds

Weight : 525pds
 Inside width : 120"
 Bed length : 10'
 Vertical lift : 60"

· Vinyl guides and bunks included
 · Kevlar winch cable (high strength)

Vertical Boat Lift 5500pds

Weight : 595pds
 Inside width : 120"
 Bed length : 10'
 Vertical lift : 60"

· Vinyl guides and bunks included
 · Kevlar winch cable (high strength)

Vertical Pontoon Lift 3500pds

Weight : 475pds
 Inside width : 120"
 Bed length : 11'
 Vertical lift : 60"

· Vinyl guides and aluminum ladders included

Vertical Pontoon Lift 4500pds

D

Weight : 564pds
 Inside width : 120"
 Bed length : 11'
 Vertical lift : 60"

· Vinyl guides and aluminum ladders included
 · Kevlar winch cable (high strength)

Vertical Pontoon Lift 5500pds

Weight : 634pds
 Inside width : 120"
 Bed length : 11'
 Vertical lift : 60"

· Vinyl guides and aluminum ladders included
 · Kevlar winch cable (high strength)



Options

Available on most of our lifts: sets of wheels, electronic or solar winch motor with or without remote, 100% acrylic protection roof.

· Get in touch with us for more information

Advice

To be able to choose the proper lift for your boat, you need to know the exact weight of it, including the engine and all added weight such as gas, oil, battery, accessories or anything else. If the weight is too close to the limit, we suggest you choose a model with a larger capacity.

During the installation of your lift, it is extremely important to ensure the lift is level by adjusting the legs to make sure that equal pressure is distributed across the cables.

At the end of the season, it is highly recommended to remove your lift from the water and store it somewhere that ice cannot reach it. A boat lift that stays in the water during winter will not be covered under our warranty.

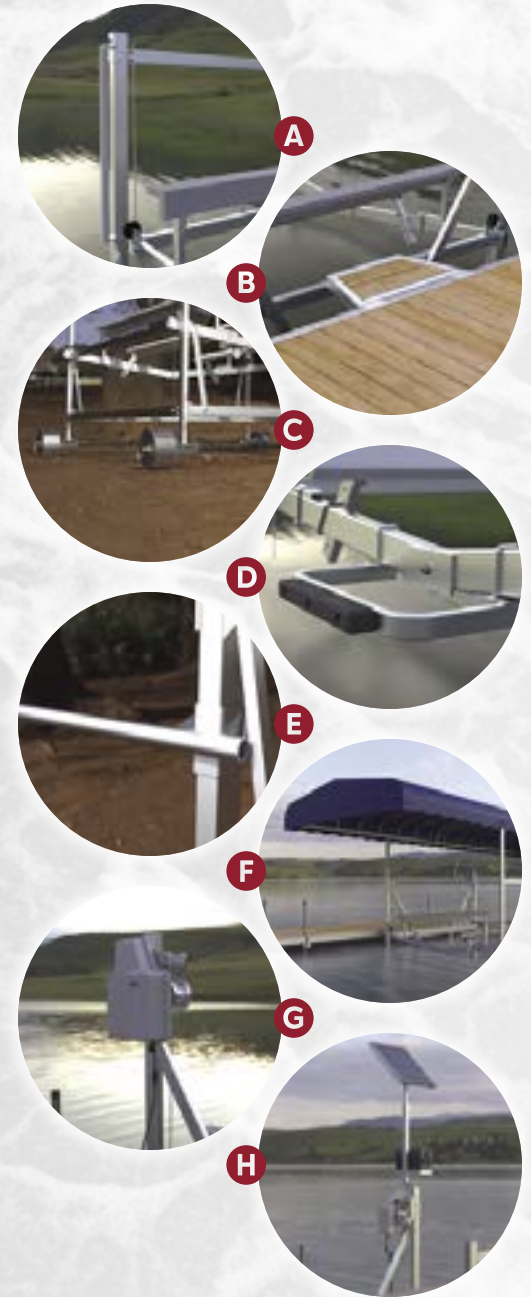
Lifts

All our lifts are made from A to Z at our factory in Lac-Mégantic, Quebec, Canada. They are designed with high grade aluminum to provide a durable, strong and lightweight structure. All the hardware is made of stainless steel to avoid any rust and be 100% weather-resistant to Mother Nature. It's the perfect product to extend the life of your boat.



Lift Accessories

A	<u>Entrance Roll</u>	Allows you to redirect your boat towards the middle of your lift and so protect everything	Aluminum manufacturing and rigid PVC	Easy to install The height is adjustable
B	<u>Boat Walk</u>	Allows you to reduce the gap between your dock and your lift, so it's safer	Aluminum manufacturing Stainless steel bolts	Available with natural west cedar Easy to install No drilling needed
C	<u>Wheels Set</u>	Makes it easier to install or remove your lift from water	Reinforced aluminum wheels Galvanized axles Aluminum bracket Stainless steel bolts	Available for all our lifts Sold in pair (2 axles & 4 wheels)
D	<u>Motor Stop</u>	Makes it easier to position your boat in your lift	Aluminum manufacturing and rubber Stainless steel bolts	Can be added on all our lifts Easy to install No drilling needed
E	<u>Transportation Handle</u>	Facilitate the transportation of your lift	Aluminum manufacturing	Sold in pair
F	<u>Boat Lift Roof</u>	Very useful to protect your boat against weather and ultraviolet rays	Aluminum structure with stainless steel bolts 100% acrylic heavy duty canvas	Available for all our lift 10 years warranty Many colours available
G	<u>Electric Lift Motor</u>	Allows you to raise or lower your boat faster and effortlessly	Work with 110 volts Replace the existing manual winch	Available on our vertical lifts Available with remote
H	<u>Electric Lift Motor with Solar Panel</u>	Allows you to have an electric motor even with difficult access, no needs of power extension cord, get you energy directly from the solar panel	Included: solar panel, frame, battery and the cover Aluminum frame with stainless steel bolts	Available on our vertical lifts Available with remote



The Lighthouse Docks includes a ten-year (10) warranty on all their soldering, and five-year (5) warranty on all aluminum structures of its docks and lifts. A two-year (2) warranty applies to the mechanical components as well as all accessories pertaining to the mechanical components. This guarantee applies to normal usage of our products. Damages may occur if caution is not taken, especially during bad weather with strong winds, by not taking the weight of the boat into account. In such situations, the boat should be anchored away from the dock or on its trailer out of the water. During the warranty period, The Lighthouse Docks will repair or replace the defective part without any charges. However, if The Lighthouse Docks considers that the warranty conditions have not been respected, repair and shipping fees will be invoiced to the purchaser. For more information on our warranty, please visit our website.

Exclusions

Damages caused by abuse, accident, weight exceeding the maximum capacity, poor judgment, improper assembly or installation, improper use, negligence, inadequate storage;

All damages caused by a repair shop who's not authorized by The Lighthouse Docks;

Any modifications to the product;

Acts of Mother Nature (wind, waves, rain etc...);

Damages caused by ice;

Installation or removal fees.



The Lighthouse
Docks are proud to
offer you certified
products



certificationcwb
CSA W47.1
CSA W47.2

the
lighthouse.com docks

3965, rue du Québec-Central
Lac-Mégantic, QC G6B 2C8

Phone : 819 583-5451

Email : info@lighthousedocks.com